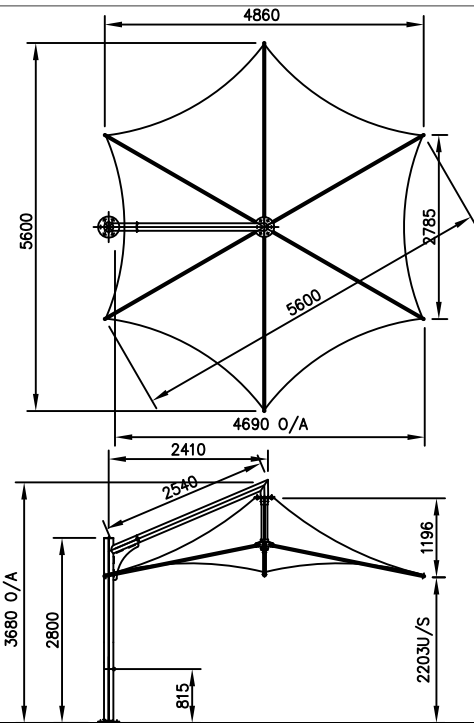




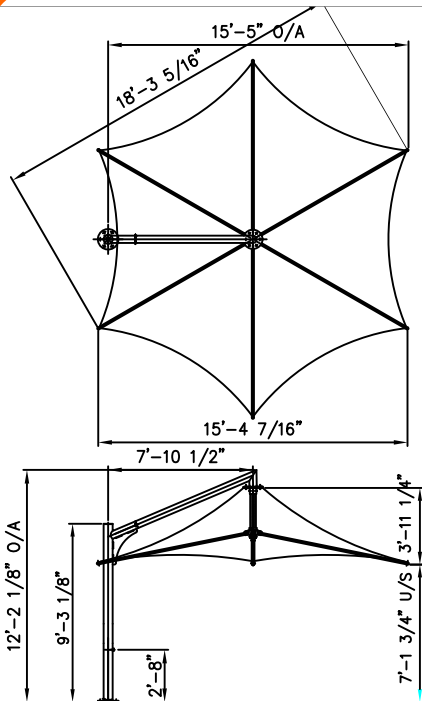
VISTA 5.6M HEXAGONAL CANTILEVER UMBRELLA - V56H

METRIC



CODE: V56H
 VISTA 5.6M HEX. CANTILEVER

IMPERIAL



CODE: V56HC
 VISTA 19 FT. HEX. CANTILEVER

Specifications:

- . Low maintenance, heat reflective, UV treated, fully welded membrane.
- . Stainless steel edge cable for even tension of roof Material.
- . Mast and cantilever arm are structural grade steel which is galvanized and then powdercoated.
- . Arms are structural grade aluminium.
- . Retractable winding mechanism allowing for the arms To collapse in extreme weather
- . 5 year warranty on the frame.
- . 2 year warranty on the canopy
- . Engineered wind rated 112 kph - 75 MPH open & 150 kph - 93 MPH closed

Options:

- . PVC Curtains
- . Lighting
- . Screen Printing
- . Rain Lips
- . Link Panels joining umbrellas

