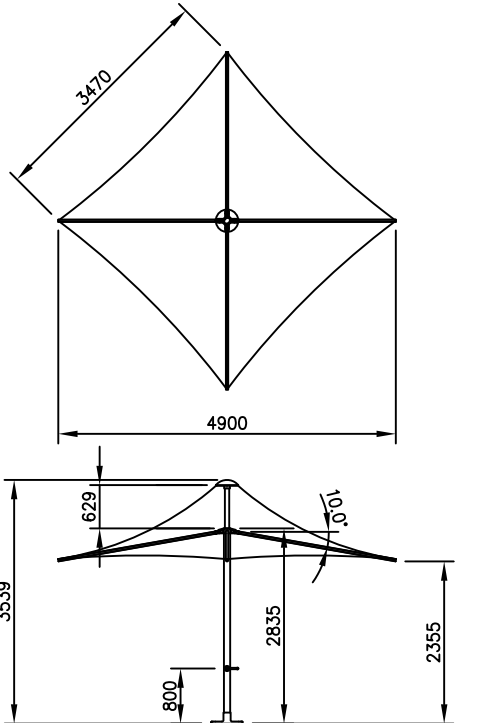




Website: [www.leosp.com](http://www.leosp.com)  
 Email: [szsss88@163.com](mailto:szsss88@163.com)

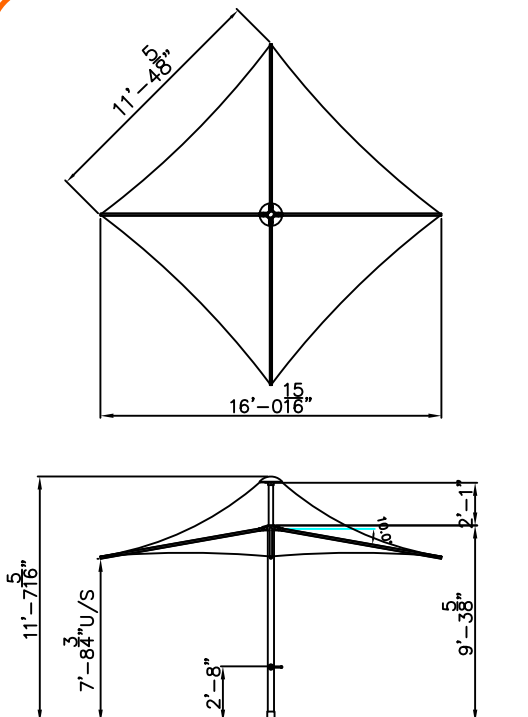
SUNSET 3.5M SQUARE RETRACTABLE UMBRELLA - S35S

METRIC



CODE: S35S  
 SUNSET 3.5 M SQUARE UMBRELLA

IMPERIAL



CODE: S35S  
 SUNSET 12 FT. SQUARE UMBRELLA

Specifications:

- . Low maintenance, heat reflective, UV treated, fully welded membrane.
- . Stainless steel edge cable for even tension of roof material.
- . Purpose built internal mechanism for ease and speed of mobilizing canopy.
- . Removable handle (with stop) to raise and lower canopy
- . All metal work is Structural Aluminium or 316 Stainless steel and powder coated.
- . 10 year Frame - anti rust policy .
- . 2 year warranty on the canopy .
- . 5 year warranty on frame.
- . Engineered wind rated 112 kph 75 MPH(W33) open & 148 kph 93 MPH(W41) closed

OPTIONS

- . Lighting
- . Electric Heaters
- . PVC Curtain
- . Screen Printing
- . Remote Control - Motorised

