



Website: [www.leossp.cn](http://www.leossp.cn)  
Email: [szsss88@163.com](mailto:szsss88@163.com)

PANOARAMA

6.0M SQUARE CANTILEVER FIXED UMBRELLA

- P60SC

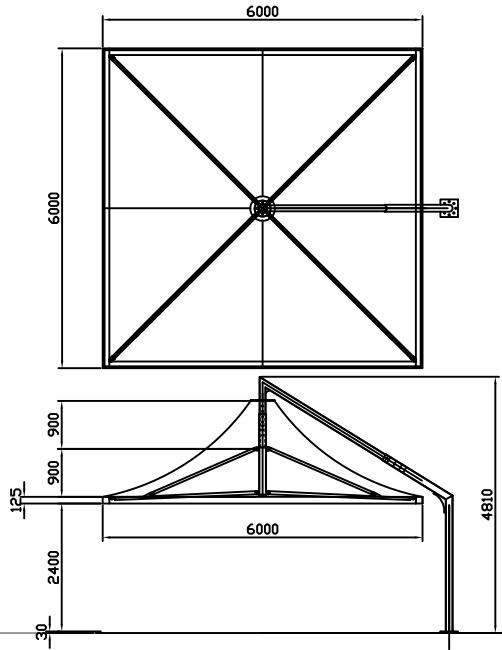
## METRIC

### Specifications:

- . Cantilever Arm
- . Low maintenance, heat reflective, UV treated, fully welded membrane.
- . Frame is structural grade steel , galvernised & Powdercoated.
- . Perimeter frame - allowing for gutter system to control water flow
- . 5 year warranty on the frame.
- . 2 year warranty on the canopy

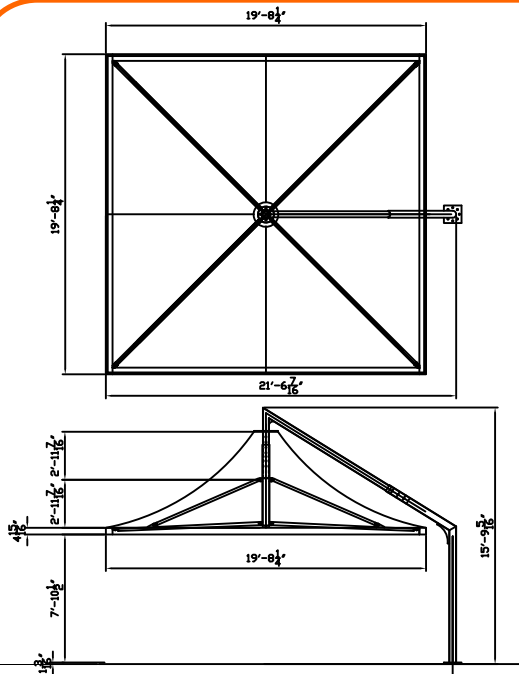
### Options:

- . Lighting
- . Electric Heaters
- . Electrical access panel
- . Prevision for standard guttering system to control water flow.
- . PVC Curtains
- . Screen Printing
- . Umbrellas can be linked together with joined or singular canopies



CODE : P60SC  
6 MTS SQ. FIXED PERIMETER FRAME  
CANTILEVER FRAME

## IMPERIAL



CODE : P60SC  
20 FT. SQ. FIXED PERIMETER FRAME  
CANTILEVER FRAME

