



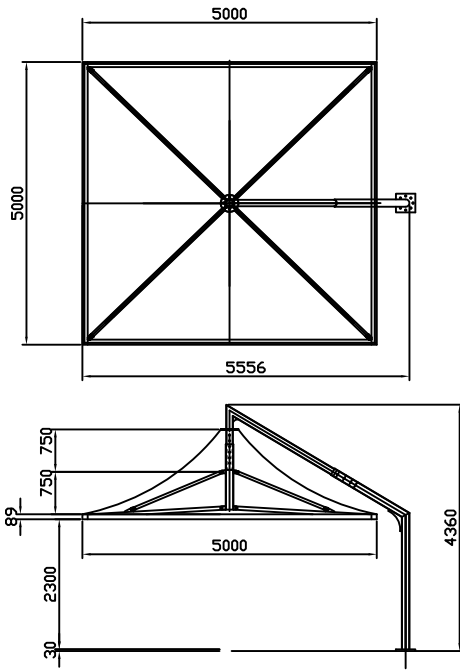
Website: [www.leossp.cn](http://www.leossp.cn)  
 Email: [szsss88@163.com](mailto:szsss88@163.com)

PANOARAMA

5.0M SQUARE CANTILEVER FIXED UMBRELLA

- P50SC

## METRIC



CODE : P50SC  
 5 MTS SQ. FIXED PERIMETER FRAME  
 CANTILEVER FRAME

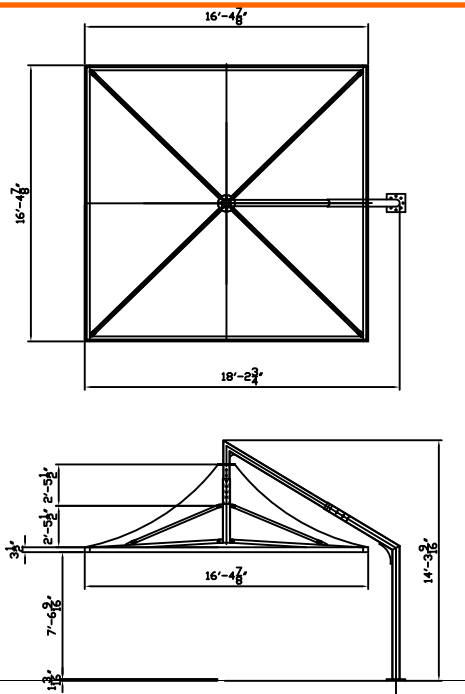
### Specifications:

- . Cantilever Arm
- . Low maintenance, heat reflective, UV treated, fully welded membrane.
- . Frame is structural grade steel , galvernised & Powdercoated.
- . Perimeter frame - allowing for gutter system to control water flow
- . 5 year warranty on the frame.
- . 2 year warranty on the canopy

### Options:

- . Lighting
- . Electric Heaters
- . Electrical access panel
- . Prevision for standard guttering system to control water flow.
- . PVC Curtains
- . Screen Printing
- . Umbrellas can be linked together with joined or singular canopies

## IMPERIAL



CODE : P50SC  
 17 FT. SQ. FIXED PERIMETER FRAME  
 CANTILEVER FRAME

