



Website: www.leosp.com

Email: szsss88@163.com

PANOARAMA

4.0M SQUARE FIXED UMBRELLA

- P40S

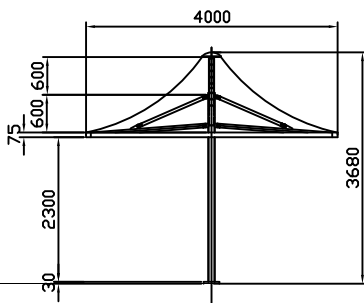
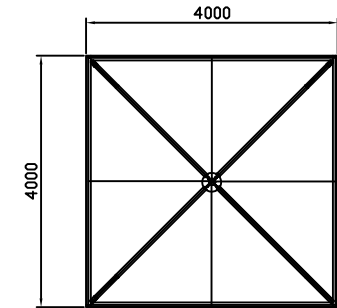
METRIC

Specifications:

- . Cantilever Arm
- . Low maintenance, heat reflective, UV treated, fully welded membrane.
- . Frame is structural grade steel , galvernised & Powdercoated.
- . Perimeter frame - allowing for gutter system to control water flow
- . 5 year warranty on the frame.
- . 2 year warranty on the canopy

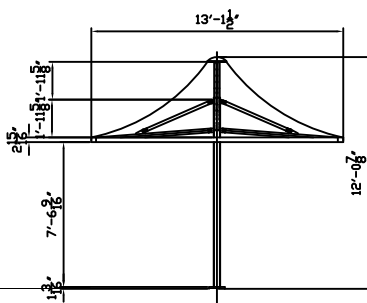
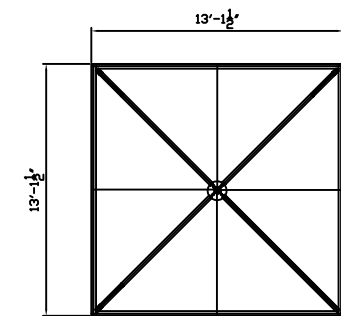
Options:

- . Lighting
- . Electric Heaters
- . Electrical access panel
- . Prevision for standard guttering system to control water flow.
- . PVC Curtains
- . Screen Printing
- . Umbrellas can be linked together with joined or singular canopies



CODE : P40S
4 MTS SQ. FIXED PERIMETER
CENTRE COLUMN FRAME

IMPERIAL



CODE : P40S
14 FT. SQ. FIXED PERIMETER
CENTRE COLUMN FRAME