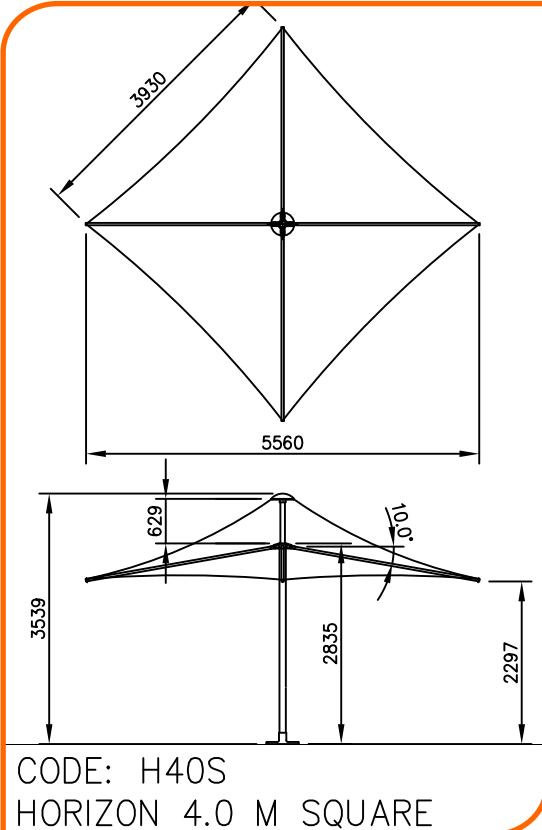




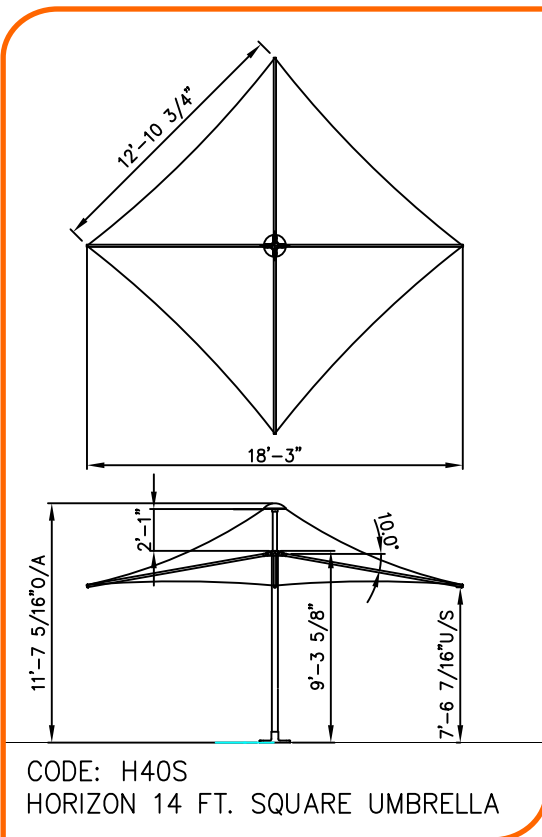
Website: [www.leossp.cn](http://www.leossp.cn)  
 Email: [szsss88@163.com](mailto:szsss88@163.com)

HORIZON 4.0M SQUARE NON RETRACTABLE UMBRELLA - H40S

**METRIC**



**IMPERIAL**



Specifications:

- Low maintenance, heat reflective, UV treated, fully welded membrane.
- Stainless steel edge cable for even tension of roof Material.
- All metal work is Structural Aluminium or Stainless steel and powder coated.
- 10 year frame anti rust policy
- 2 year warranty on the canopy
- 5 year warranty on frame.
- Engineered wind rated 112 kph - 75 MPH (W33)

Options:

- Lighting
- Electric Heaters
- PVC Curtains
- Screen Printing
- Rain Lips
- Link panels joining umbrellas
- Electrical Access Point

