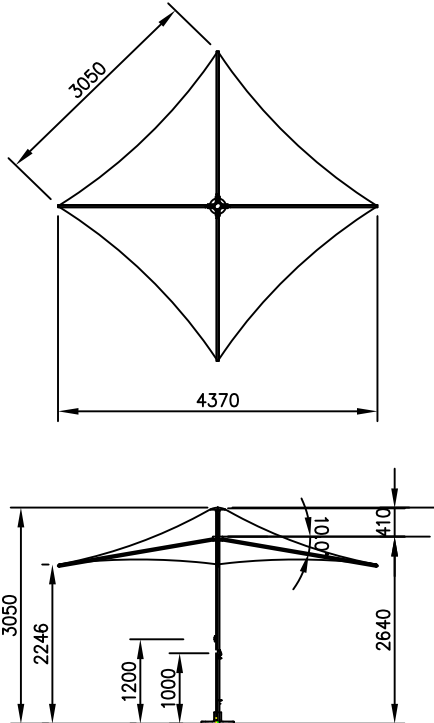




Website: www.leosp.cn
 Email: szsss88@163.com

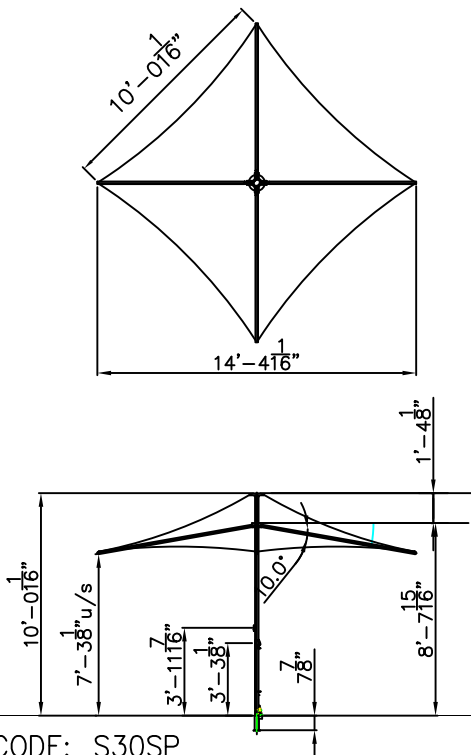
SUNSET 3.0M SQUARE PORTABLE UMBRELLA - S30SP

METRIC



CODE: S30SP
 SUNSET 3.0 M SQUARE PORTABLE

IMPERIAL



CODE: S30SP
 SUNSET 10 FT. SQUARE PORTABLE

Specifications:

- . All metal work is Structural Aluminium or 316 Stainless steel and powder coated
- . Rope & Pulley System
- . 1 year warranty on frame and fabric
- . Fabric used is G11000
- . Engineered wind ratings up to 60km/h - 37 MPH (W33) are available

Options:

- . Inground lockable base plates
- . Above ground base plates
- . Screen Printing available

