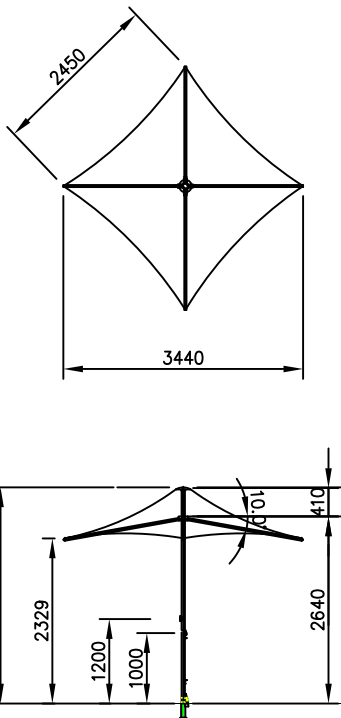




Website: [www.leosp.cn](http://www.leosp.cn)  
 Email: [szsss88@163.com](mailto:szsss88@163.com)

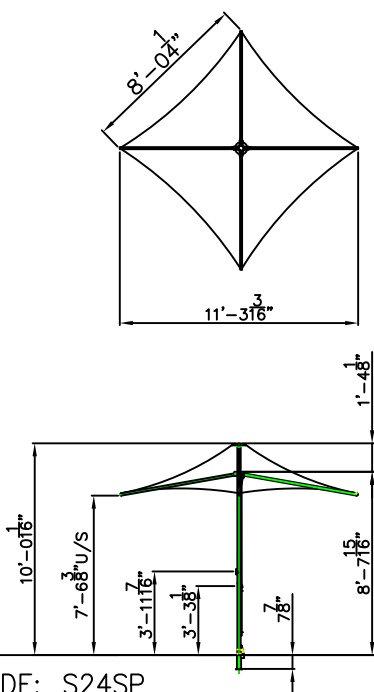
SUNSET 2.4M SQUARE PORTABLE UMBRELLA - S24SP

METRIC



CODE: S24P  
 SUNSET 2.4 M SQUARE PORTABLE

IMPERIAL



CODE: S24SP  
 SUNSET 8 FT. SQUARE PORTABLE

Specifications:

- . All metal work is Structural Aluminium or 316 Stainless steel and powder coated
- . Rope & Pulley System
- . 1 year warranty on frame and fabric
- . Fabric used is G11000
- . Engineered wind ratings up to 60km/h - 37 MPH (W33) are available

Options:

- . Inground lockable base plates
- . Above ground base plates
- . Screen Printing available

